

# MONITOR MOUNT SELECT

For 1 or 2 monitors

max. 27"

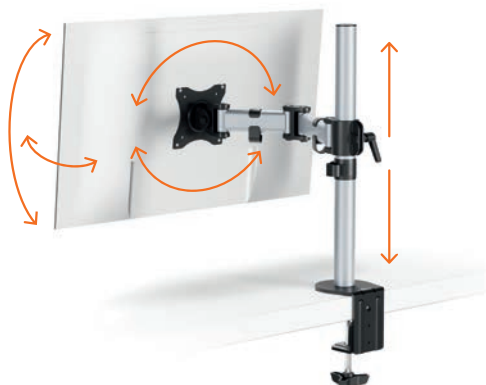
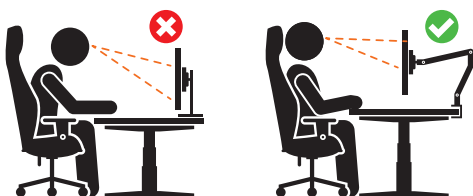
Steel



Ergonomic work

Individual positioning of the monitor

With 2 fixing options





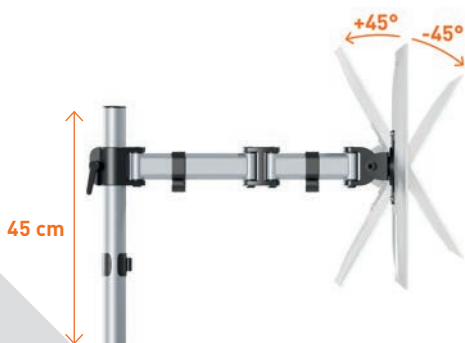
For 1 monitor  
# 5094



For 2 monitors  
# 5095



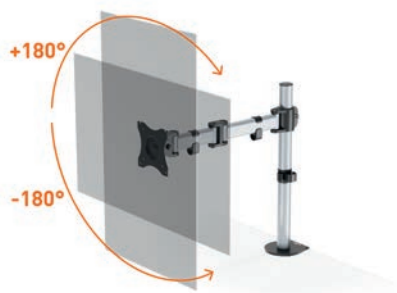
- Mounting with table clamp ① for table tops from 10–88 mm thick
- Mounting with table grommet ② for table tops from 10–75 mm thick



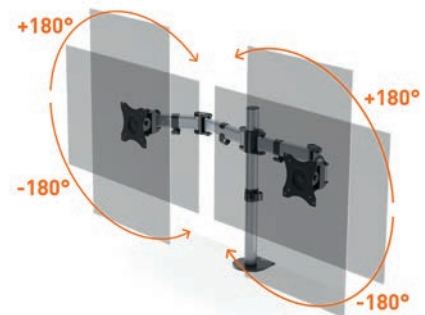
- Monitor tilt  
+45° to -45°



- Monitor panning  
+90° to -90°



- Monitor rotation  
+90° to -90°



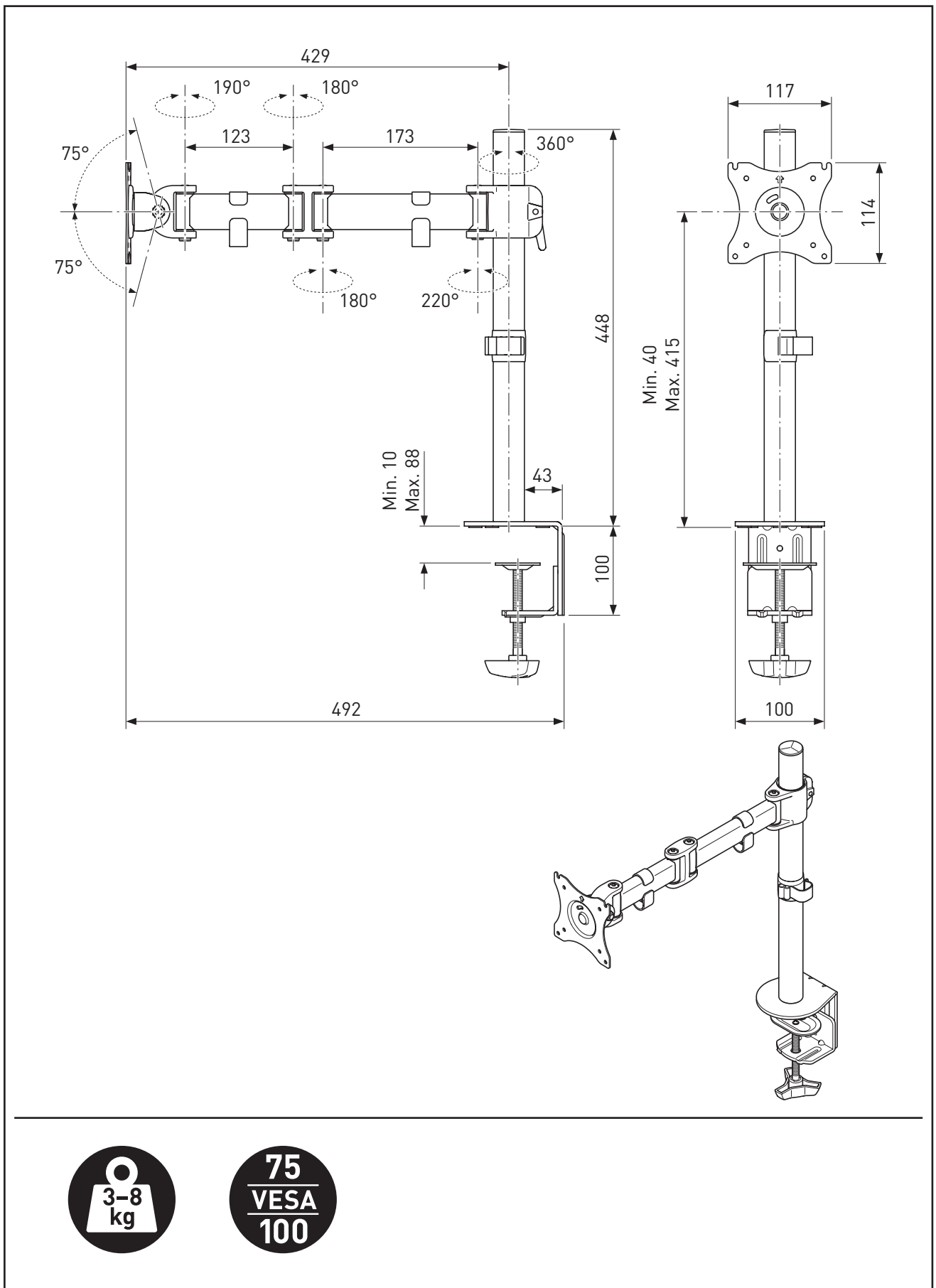
### Monitor mount for 1 or 2 monitors

- For standard monitors up to 27" and 8kg (each)
- Infinitely height adjustable with locking screw on a 45cm high column
- Universal VESA mount (75×75 mm or 100×100 mm)
- Cable management with clips to protect against cable breakage
- Sustainable packaging from recycled material

Product	Item no.	Colour	Packaging
MONITOR MOUNT SELECT for 1 monitor	5094	23 silver	1 piece
MONITOR MOUNT SELECT for 2 monitors	5095	23 silver	1 piece

Maßzeichnung | Dimensional drawing

# 5094 Monitor Halterung SELECT für 1 Monitor, Tischbefestigung  
 Monitor mount SELECT for 1 screen, desk mount



Maßzeichnung | Dimensional drawing

# 5094 Monitor Halterung SELECT für 1 Monitor, Tischdurchführung  
 Monitor mount SELECT for 1 screen, through-desk

